

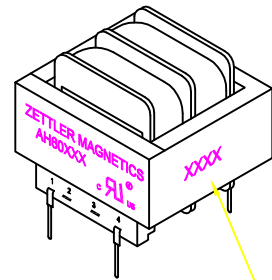
TRANSFORMER, POWER, PCB 20VA

1. ELECTRICAL SPECIFICATIONS:

- A. Maximum Power: 20VA
- B. Input Voltage and Frequency: 115V± 10% @ 50/60Hz
- C. Secondary Voltage: See Electrical Table
- D. Temperature Rise: 45° C MAX allowed
- E. Excitation Current: 55 mA MAX
- F. Hi-Pot: 2500Vrms 1 minute @ Pri. to Sec.
1500Vrms 1 minute @ Pri. to Core
1500Vrms 1 minute @ Sec. to Core

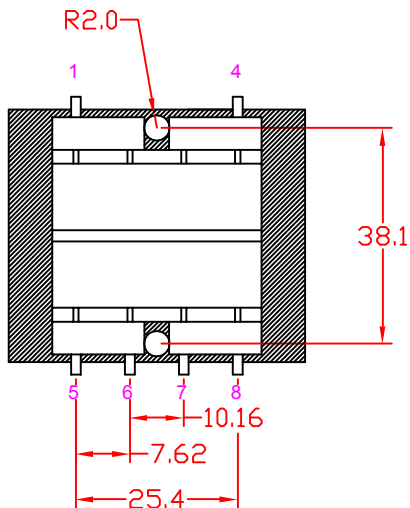
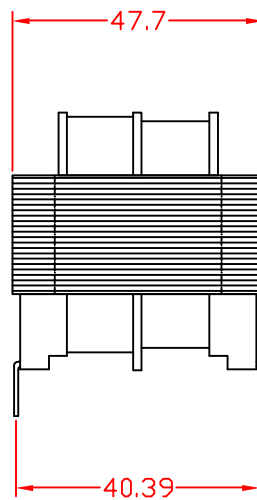
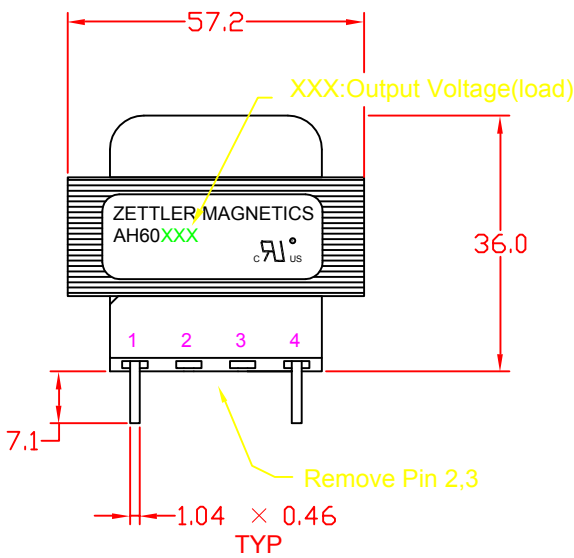
G. Safety:

Insulation System ZM-130-5, Class B, UL File No.E177235
UL506, General Purpose, US and Canada, File No.E177998



DATE CODE
YEAR MONTH

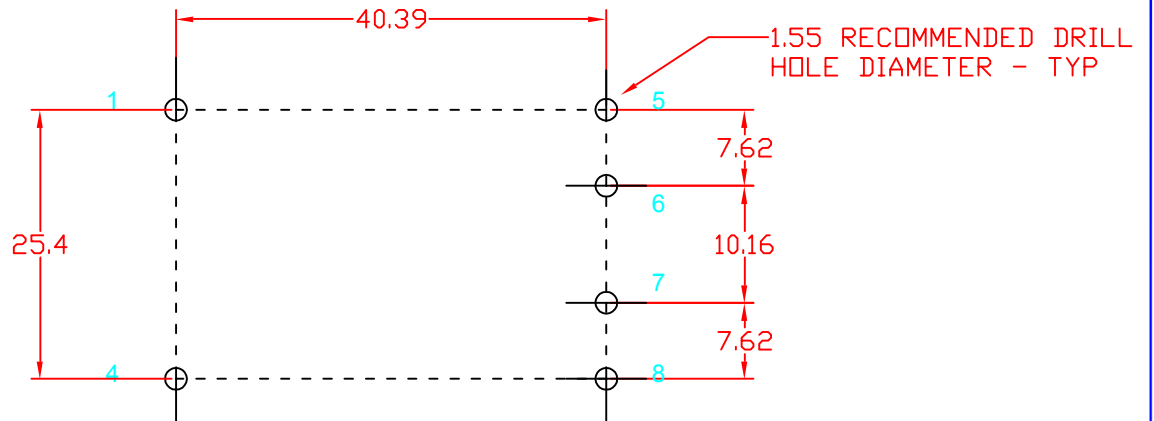
2. MECHANICAL SPECIFICATIONS:



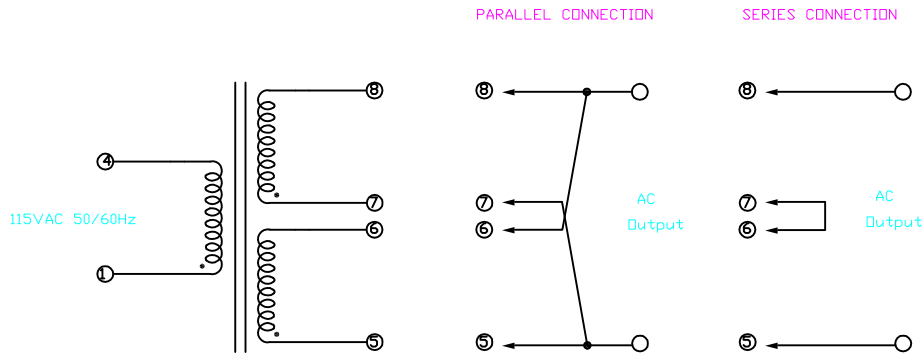
REV.	DESCRIPTION	DRAWN	DATE(M/D/Y)
A	CREATED DRAWING	ZHENG	June 17,2002
B/0	MODIFY LENGTHS OF THE PIN,ADD THE HIGH OF THE CENTER BOBBIN WALL	ye	June 12,2006

TOLERANCE	SCALE NOT 1:1	UNIT mm	DATE (M/D/Y)	MODEL DESCRIPTION	
X	±0.3	DRAWN	ye	ZETTLER MAGNETICS TITLE AH600 SERIES PCD	
X.X	±0.2	CHECKED			
X.XX	±0.1	QC			
THICKNESS	/	APPROVED			
REV.	B/0	E:\ACAD\AH600SERIES\AH600SERIESPCD		MATERIAL Class B 130° C	MODEL: AH600 SERIES
					SHEET: 1 OF 2

3. MOUNTING FOOTPRINT:



4. SCHEMATIC DIAGRAM:



5. ELECTRICAL TABLE:

PART NO.	PARALLEL CONNECTION		SERIES CONNECTION	
	AC VOLTAGE	CURRENT	AC VOLTAGE	CURRENT
AH60010	5V	4A	10V	2A
AH60012	6.3V	3.2A	12.6V	1.6A
AH60016	8V	2.5A	16V	1.25A
AH60020	10V	2.0A	20V	1.0A
AH60024	12V	1.6A	24V	0.8A
AH60028	14V	1.4A	28V	0.7A
AH60036	18V	1.1A	36V	0.55A
AH60048	24V	0.8A	48V	0.4A
AH60056	28V	0.7A	56V	0.35A
AH60120	60V	0.32A	120V	0.16A

REV.	DESCRIPTION	DRAWN	DATE(M/D/Y)
A	CREATED DRAWING	ZHENG	June 17,2002
B/0	MODIFY LENGTHS OF THE PIN,ADD THE HIGH OF THE CENTER BOBBIN WALL	ye	June 12,2006

TOLERANCE	SCALE NOT 1:1	UNIT mm	DATE (M/D/Y)	MODEL DESCRIPTION		
X	± 0.3	DRAWN	ye	ZETTLER MAGNETICS		MATERIAL Class B 130° C
X.X	± 0.2	CHECKED				MODEL: AH600 SERIES
X.XX	± 0.1	QC		TITLE AH600 SERIES PCD		SHEET: 2 OF 2
THICKNESS	/	APPROVED				
REV.	B/0	E:\ACAD\AH600SERIES\AH600SERIESPCD				